



ULTRA SEAM - PERIMETER EDGING SYSTEMS

Ultra Seam
Metal Roofing Systems

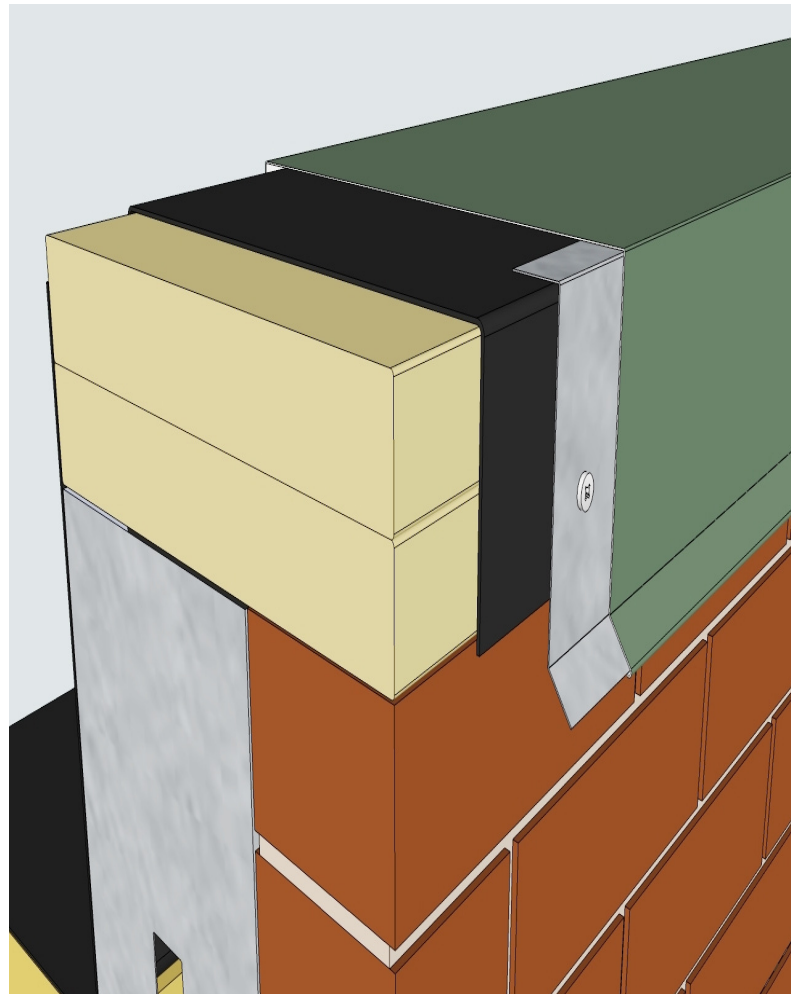
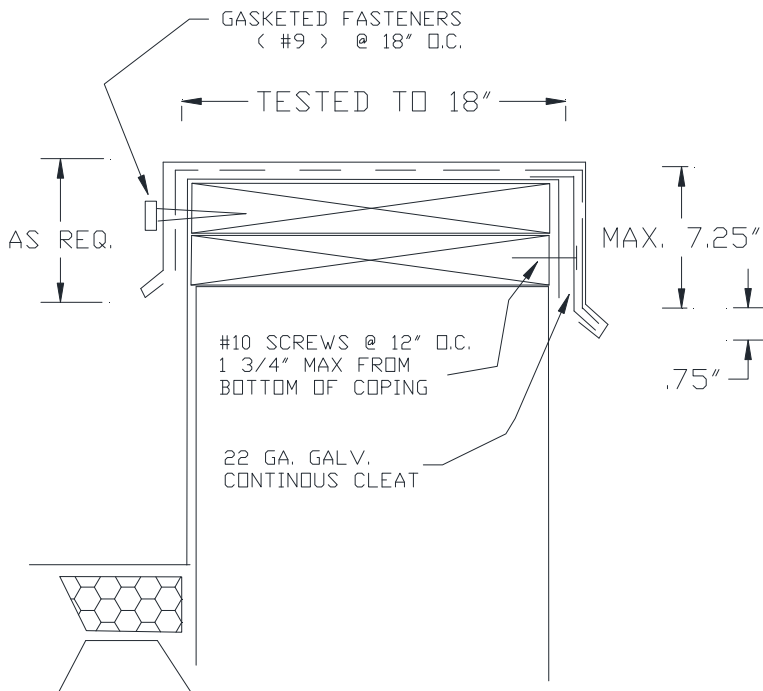
SC SERIES COPING

Manufactured by
Ultra Seam
Metal Roofing &
Siding Systems
1-800-USI-SEAM
(874-7326)
www.ultraseam.com

The IBC building code requires that all low slope roofing systems (built up asphalt, single ply, modified, etc.) use perimeter metal details that have tested according to the ANSI / SPRI ES-1 testing procedure. This applies to copings, gravel stops, and metal edgings. Most states have adopted the provisions of the IBC building code. ULTRA SEAM has developed a line of coping, gravel stops, and edging that have been tested in both aluminum and steel options. We have standard and snap lok versions of each type of trim.

ES-1 TESTED!

THE ULTRA SEAM STANDARD STYLE COPING (SC SERIES COPING) IS A TRADITIONAL STYLE COPING THAT IS FAST AND SIMPLE TO INSTALL. FRONT CLEAT INTERLOCK AND BACKSIDE THRU FASTENING PROVIDES



SC SERIES (STANDARD STYLE) COPINGS ARE AVAIL-
ABLE IN VARIOUS METALS. THEY ARE ES-1 TESTED IN
24 GA. STEEL AND .040 ALUMINUM. MAXIMUM TESTED
FACE SIZE IS 8". CALL ULTRA SEAM FOR DETAILS.