



# ULTRA SEAM - PERIMETER EDGING SYSTEMS

Ultra Seam  
Metal Roofing Systems

## GS SERIES GRAVEL STOP

Manufactured by

Ultra Seam  
Metal Roofing &  
Siding Systems

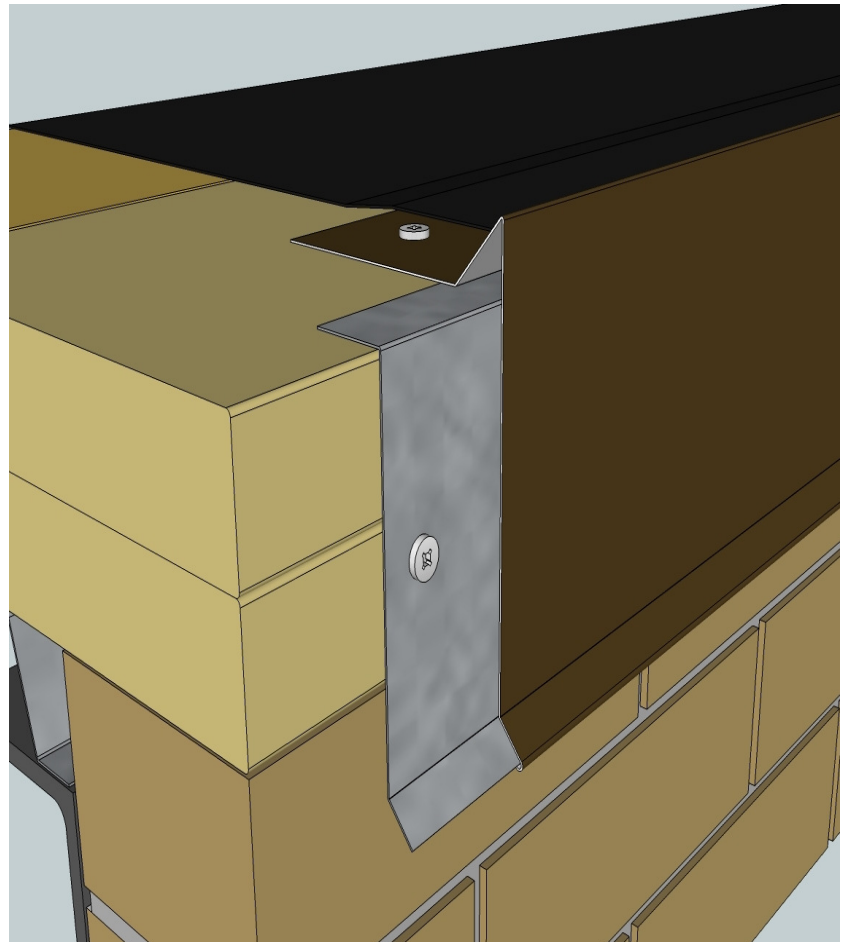
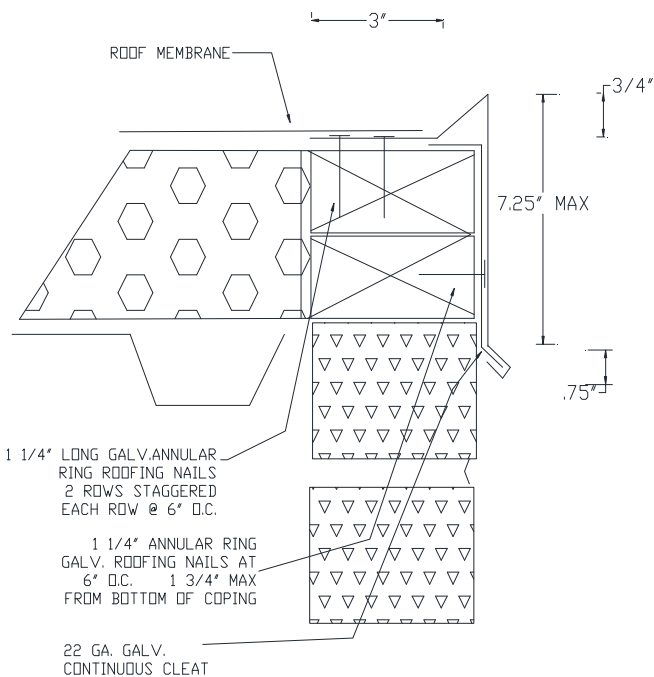
1-800-USI-SEAM  
(874-7326)

www.ultraseam.com

The IBC building code requires that all low slope roofing systems ( built up asphalt, single ply, modified, etc.) use perimeter metal details that have tested according to the ANSI / SPRI ES-1 testing procedure. This applies to copings, gravel stops, and metal edgings. Most states have adopted the provisions of the IBC building code. ULTRA SEAM has developed a line of coping, gravel stops, and edging that have been tested in both aluminum and steel options. We have standard and snap lok versions of each type of trim.

### ES-1 TESTED!

THE STANDARD STYLE GRAVEL STOP ( GS SERIES ) HAS A FAST AND SIMPLE INSTALLATION PROCEDURE . THIS SYTEM IS UTILIZED WITH ASPHALT AND MODIFIED SYSTEMS THAT WILL SEAL TO THE FLANGE, AND WITH OTHER MEMBRANES THAT REQUIRE A STRIP-IN.



GS SERIES ( GRAVEL-STOP STANDARD ) GRAVEL STOPS ARE AVAILABLE IN VARIOUS METALS. THEY ARE ES-1 TESTED IN 24 GA. STEEL AND .040 ALUMINUM. MAXIMUM TESTED FACE SIZE IS 8" . CALL ULTRA SEAM FOR DETAILS.